

# *F300 Megablock Series*

## *Fieldbus Device Couplers*



**Instruction Manual**

**502-461 Rev:A.0**



# DECLARATION OF CONFORMITY

We declare under our sole responsibility that the F3xx Series products listed below, to which this declaration relates, conform with the requirements of the Directives below by compliance with the standards listed:

1. Council Directive 2004/108/EC (EMC Directive) relating to Electro-Magnetic Compatibility.  
EN 61326-1:2006  
Class A equipment. Table 2 - Industrial Locations
2. Council Directive 2006/95/EC (Low Voltage Directive) relating to Product Safety.  
EN 61010-1:2001 (see Note 4)
3. Council Directive 94/9/EC (ATEX Directive) relating to equipment and protective systems intended for use in potentially explosive atmospheres.  
EN 60079-0:2006, 2009; EN 60079-11:2007; EN 60079-15:2005, 2010; EN 60079-27:2008

Where products were initially assessed for compliance with the Essential Health and Safety Requirements of the Directive using earlier harmonised standards, a subsequent review has determined that "technical knowledge" is unaffected by the current harmonised standards listed above.

Product	Description	EMC <sup>1</sup>	LVD <sup>2</sup>	ATEX <sup>3</sup>	Cat1/Cat2 ATEX Cert No.	Cat3 ATEX Cert No.
F97	Overmolded Terminator	Yes	Yes	Yes	None	None <sup>5</sup>
F304*	4-port Megablock with screw terminals with F97 terminator	Yes	Yes	Yes	None	RELC11ATEX1010X
F308*	8-port Megablock with screw terminals with F97 terminator	Yes	Yes	Yes	None	RELC11ATEX1010X
F312*	12-port Megablock with screw terminals with F97 terminator	Yes	Yes	Yes	None	RELC11ATEX1010X

### Notes relating to CE Marking:

1. Entries in this column may be:
  - Yes      Product conforms to the EMC Directive
  - N/R      Product is not required to conform to the EMC Directive
2. Entries in this column may be:
  - Yes      Product conforms to the LV Directive
  - N/R      Product is not required to conform to the LV Directive
3. Entries in this column may be:
  - Yes      Product conforms to the ATEX Directive
  - N/R      Product is not required to conform to the ATEX Directive
4. Compliance with the LVD is established by evaluation of the product by FM to FM3810(2005) / ANSI/ISA 61010-1:(2004). The ANSI/ISA document is based upon IEC 61010-1, Second Edition, 2001, with a few national deviations. There is no material difference in this standard and EN61010-1:2001 with regard to the LVD.
5. The F97 is an accessory for the F3xx products. It is certified as part of the F3xx certification; however, it is not marked to be a stand-alone certified product.

\* Standard connectors on Megablocks are Pluggable Screw Terminal. A "-PC" on the part No. indicates that the optional Pluggable Spring Clamp connectors are used, and the optional "-PD" indicates that the optional Pluggable Insulation Displacement connectors are used.

21 December 2011  
Luton, England



Signed: *J.N. Malins*  
J.N.Malins - Technical Director



Measurement Technology Limited  
Great Marlings, Butterfield, Luton  
Bedfordshire, United Kingdom LU2 8DL  
Tel: +44 (0)1582 723633  
Fax: +44 (0)1582 422283  
www.mtl-inst.com  
Registered in England No. 1012778

# CONTENTS

<b>1</b>	<b>OVERVIEW</b> .....	<b>1</b>
<b>2</b>	<b>DESCRIPTION</b> .....	<b>1</b>
<b>3</b>	<b>COMPONENTS AND ACCESSORIES</b> .....	<b>2</b>
<b>4</b>	<b>MECHANICAL</b> .....	<b>2</b>
4.1	Mounting orientation .....	2
4.2	Enclosure requirements .....	2
4.3	DIN-rail mounting .....	3
4.4	Removal from DIN-rail .....	3
<b>5</b>	<b>ELECTRICAL CONNECTIONS</b> .....	<b>3</b>
5.1	DC Power Requirements .....	4
5.2	Terminator .....	4
5.3	Trunk connections .....	4
5.4	Spur port connections .....	5
5.5	Cable screen connections .....	5
5.6	Surge protection .....	5
<b>6</b>	<b>TESTING</b> .....	<b>6</b>
6.1	Power LED .....	6
6.2	Spur LEDs .....	6
<b>7</b>	<b>ROUTINE MAINTENANCE</b> .....	<b>6</b>
<b>8</b>	<b>ATEX SAFETY INSTRUCTIONS</b> .....	<b>7</b>
8.1	General .....	7
8.2	Installation .....	7
8.3	Inspection and maintenance .....	7
8.4	Repair .....	7
8.5	Marking .....	8
<b>9</b>	<b>FM CONTROL DRAWINGS</b> .....	<b>9</b>
<b>10</b>	<b>IECEX SAFETY INSTRUCTIONS</b> .....	<b>12</b>
10.1	Conditions of safe use .....	12
10.2	IECEX Control drawings .....	13

## GENERAL SAFETY INFORMATION

The following methods are used in this manual to alert the user to important information:-


	<b>WARNING !</b> <b>Warnings are provided to ensure operator safety and MUST be followed.</b>
---	--

<b>CAUTION</b> Cautions are provided to prevent damage to the instrument.
--

<b>NOTE</b> These are used to give general information to ensure correct operation.
--

### SAFETY INSTRUCTIONS FOR INSTALLATION AND OPERATING PERSONNEL


The operating instructions provided here contain **essential safety instructions** for installation personnel and those engaged in the operation, maintenance and servicing of the equipment.

	<b>WARNING !</b> <b>Failure to comply with these instructions can endanger the lives or health of personnel and risk damage to the plant and the environment.</b>
---	--

	<b>WARNING !</b> <b>The responsibility for planning, installation, commissioning, operation and maintenance, particularly with respect to applications in explosion-hazard areas, lies with the plant operator.</b>
---	--

#### Before commencing installation or commissioning:

- Read and understand the contents of this manual and the product datasheet
- Ensure installation and operating personnel have received adequate training for this task
- Ensure that any operating instructions are fully understood by the personnel responsible.
- Observe national and local installation and mounting regulations (e.g. IEC 60079-14).

	<b>WARNING !</b> <b>If these assemblies have been used previously in general electrical installations, they MAY NOT be used in explosion-hazard area applications.</b>
---	---

#### During operation:

- Make the relevant instructions available at all times to the operating personnel.
- Observe safety instructions.
- Observe national safety and accident prevention regulations.
- Operate the equipment within its published specification.
- Servicing, maintenance work or repairs not described in this manual must not be performed without prior agreement with the manufacturer.
- Any damage to this equipment may render its explosion protection null and void.
- No changes to any of the components that might impair their explosion protection are permitted.

#### If any information provided here is not clear:

- Contact MTL or one of its representatives.

<b>NOTE</b> Improper installation and operation of the enclosure can result in the invalidation of the guarantee.
--

# F300 Megablock Series Fieldbus Device Couplers



**Figure 1.1** - Megablock models F312, F308 and F304

## 1 OVERVIEW

F300 Megablocks are DIN-rail mounted, device couplers for FOUNDATION™ fieldbus or Profibus PA networks. They allow connection of field devices to the segment trunk cable and provide short-circuit protection to the segment.

Megablocks minimize hand wiring and allow individual devices to be added to and removed from the segment without disrupting network communication.

Megablocks are available in four, eight, and twelve port versions. Multiple Megablocks are easily wired together to allow larger segments to be constructed.

Each F300 Megablock includes an F97 Terminator for installation in the trunk terminals, which is clearly marked with a large 'T' for easy identification by field personnel.

Individual surge-protector modules (FS32) can also be fitted to any of the Megablock fieldbus terminals to provide protection against induced surges and transients that can potentially destroy or degrade certain components inside the F300 Megablocks.

## 2 DESCRIPTION

### Simple and reliable interconnection

Each Megablock has dedicated connections for the fieldbus “home run” or trunk cable. Trunk connections are identified by their black connectors. Numbered (grey) connectors are provided for each spur.

Wiring connections to the Megablock are made using pluggable connectors (screw terminal type are standard, but other connection styles are available). These allow wire terminations to be made to the individual connectors, which are then plugged into the Megablock. Devices can be connected and disconnected easily during commissioning. On completion, the connector retaining screws are tightened to secure each connector to the Megablock.

## Short-circuit protection

To minimize susceptibility to single points of failure, F300 Megablocks are provided with built-in SpurGuard™ short-circuit protectors, which prevent the entire Fieldbus segment from being pulled down in the event of a short circuit on any one of the individual field devices or spur cable runs.

### NOTE

During a short circuit, the shorted spur draws more current than a normal Fieldbus device - this must be taken into account in segment design.

## Diagnostic aids

Each Megablock comes with a green LED to indicate whether DC Power is present, and a red LED next to each numbered spur indicates when the spur is in short circuit.

## 3 COMPONENTS AND ACCESSORIES

Product part numbers and their descriptions are listed below.

Part Number	Description
F304[-PC]*	4-way Megablock
F308[-PC]*	8-way Megablock
F312[-PC]*	12-way Megablock
F97	Terminator for F300 series Megablocks
F300-A01-5	Trunk-spur partition – pack of 5
FS32	Spur surge protector module
F300-BAR-5	FS32 grounding bars for trunk - pack of 5
F304-BAR-10	FS32 grounding bars for F304 - pack of 10 †
F308-BAR-10	FS32 grounding bars for F308 - pack of 10 †
F312-BAR-10	FS32 grounding bars for F312 - pack of 10 †

\* The standard connector for the Megablock is a pluggable screw terminal (elevator type). Pluggable spring-clamp connectors rely on constant spring pressure to maintain contact with the wire. To order Megablocks with pluggable spring-clamp connectors, add a -PC suffix to the part number (i.e. F304-PC).

† Up to two bars may be required for each Megablock.

## 4 MECHANICAL

### 4.1 Mounting orientation

Megablocks mount vertically or horizontally on 35mm DIN rail within a field junction box. The use of DIN rail end stops are recommended to prevent sliding (especially for vertical installations).

Eight, and twelve port Megablocks have areas on their body for labelling so that segments can be easily identified according to plant standards.

### 4.2 Enclosure requirements

#### 4.2.1 General requirements

Megablocks may be mounted in hazardous (classified) areas – see section 8. The following conditions must also be satisfied to ensure safe and reliable operation.

- Prevent any form of pollution that could compromise the operation of the unit. For example, choose an unpolluted location or a suitable enclosure to protect the assembly.
- Provide an adequate level of mechanical protection. This can be achieved by selecting a protected location, a suitable enclosure, or a combination of both.

- c) Ensure that all cable entries and connections are secure by making provision for the careful routing and securing of all cables.
- d) Provide adequate security against unauthorized interference.
- e) Conform to the permitted ambient temperature range of  $-40^{\circ}\text{C}$  to  $+70^{\circ}\text{C}$ .

#### 4.2.2 Outdoor mounting

In addition to the General Requirements above, if the Megablock is mounted in an outdoor location, use a suitable enclosure with a minimum of IP54 ingress protection. A higher level of ingress protection rating will be necessary if the working atmosphere is, or can be, corrosive, or if the enclosure is subject to wet or dusty environments.

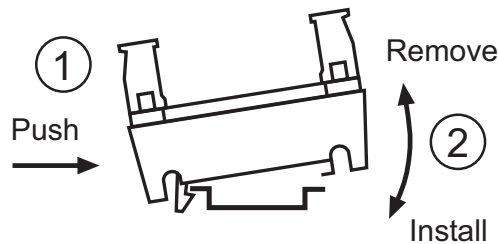
### 4.3 DIN-rail mounting

The Megablocks are designed for mounting on 35mm x 7.5mm T-section "top hat" DIN rail to EN50022 and use built-in DIN rail clips to attach to the rail.

#### 4.3.1 Mounting procedure

Megablocks are attached to the DIN rail using a "push-and-tilt" method - as illustrated on the body label and in Figure 4.1 below.

Tilt the Megablock towards the trunk-connector side of the Megablock and then engage the DIN-rail clips under the ledge of the DIN rail. Push the Megablock against the edge of the rail then rotate the Megablock until it sits flat onto the DIN rail, then release the pressure to allow the clips on the other side to engage.



**Figure 4.1: DIN Rail Installation and Removal**

#### 4.4 Removal from DIN-rail

Referring to Figure 4.1, push the Megablock against the edge of the DIN rail, tilt the other side of the Megablock up and away from the DIN rail, then release the side pressure to disengage the DIN rail clips from the DIN rail ledge.

## 5 ELECTRICAL CONNECTIONS

The Trunk and Spur connectors are pluggable (with securing screws) and available in the standard screw-terminal version or a spring-clamp version. Megablocks with spring clamp connectors have a -PC suffix on the Megablock part number (-PC). See Figures 5.1 and 5.2. The terminals can accept the following conductor sizes:

Type	Conductor size
Screw terminals	0.14 to 2.5mm <sup>2</sup>
Spring clamp terminals (-PC)	0.20 to 2.5mm <sup>2</sup>

#### NOTE

A torque screwdriver set between 0.5 - 0.6Nm is recommended for tightening all terminal screws.



**Figure 5.1: Screw Terminal**



**Figure 5.2: Spring Clamp**

**NOTE**

When wiring to spring-clamp terminals, use a screwdriver with a 3-4 mm blade to depress the spring-clamp button before inserting the termination cable. See Figure 5.2.

**5.1 DC Power Requirements**

Megablocks draw DC power from the fieldbus trunk segment they are connected to. The minimum DC input voltage, and current required, vary with the Megablock type. Refer to the F300 datasheet for exact current requirements. The maximum input voltage is 32V DC.

**5.2 Terminator**

A terminator (Model No. F97) is provided with each F300 Megablock. The terminator should be installed on the trunk of the last Megablock in order to correctly terminate the bus. The terminator is placed in the second set of terminals on the trunk connector.



**Figure 5.3  
F97 terminator**

For spring clamp terminals, push the terminator firmly into place. **Take care** to orientate the terminator so that the “T-F97” molded logo is facing *inwards* towards the body of the Megablock, otherwise difficulty will be experienced in accessing the spring-clamp buttons to remove it. For screw terminals, loosen the screws, insert the terminator so that the molded logo is visible and then tighten the screws. The F97 terminator has no specific polarity but inserting it with the ‘T’ visible clearly identifies the component, and its purpose.


When not in use, the F97 should be stored in the convenient storage slot provided in the F300 body close to the trunk connection (Figure 1.1 shows it mounted this way on the F304 model).

**5.3 Trunk connections**

Each trunk connector provides two sets of interlinked (+), (-) and cable screen (S) connections.

The second connection enables the user to onward connect the trunk to a further Megablock and avoids breaking the connection if an “upstream” Megablock needs to be removed.

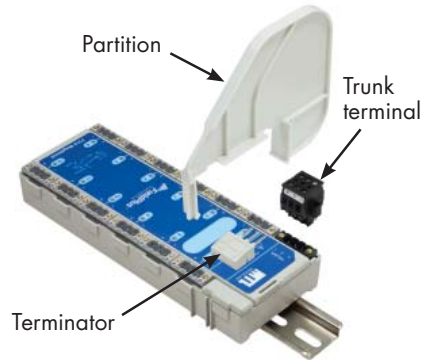
The second connection can also be used, as mentioned above, to install the F97 terminator if it is the last Megablock on the segment. See Section 5.5 for information on cable screen grounding.

	<p><b>WARNING !</b> It is not permitted to connect or disconnect the trunk wiring in a hazardous area without a gas clearance certificate or unless the circuit to which it is connected has been de-energised.</p>
---	---

### 5.3.1 Ex nA [ic] applications

When the equipment is installed in an Ex nA [ic] application, a trunk-spur partition\* must be installed to segregate the trunk and spur wiring - see Figures 5.4 and 5.5.

\* available in packs of five as Part No. F300-A01-5



**Figure 5.4: Trunk-Spur partition installation**



**Figure 5.5: Trunk-Spur partition in position**

Position the partition as shown in Figure 5.4 and locate the fingers into the channels on the sides of the device body. Press the partition onto the body until the fingers click into place at the bottom of the case - see Figure 5.5. The channels have different sizes so the partition cannot be installed backwards.

### 5.4 Spur port connections

Each spur port connector provides (+), (-) and cable screen (S) connections. See section 5.5 for information on cable screen grounding.

#### NOTE

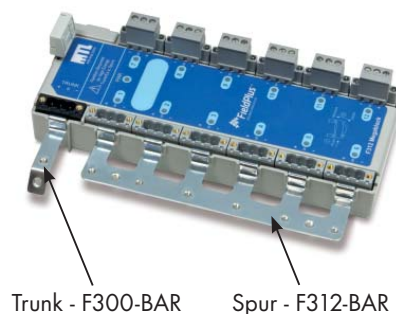
Where permitted by local codes, the (grey) spur port connectors may be connected or disconnected in Zone 2 hazardous areas/locations without isolating the trunk power.

### 5.5 Cable screen connections

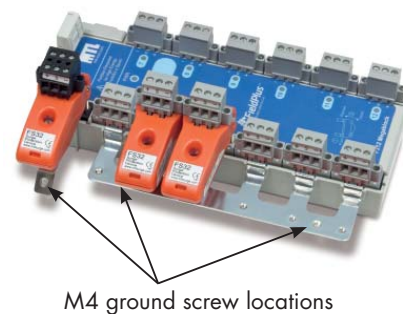
The 'S' screen terminals for the trunk and the spurs are interconnected/commoned within the F3xx device and should be grounded at only *one point* for the whole segment (i.e. a single-point ground). The MTL recommended position for that connection is in the control room close to the power supply at the DCS, or else in accordance with local system practice.

### 5.6 Surge protection

Each fieldbus terminal, trunk or spur, on a Megablock can be fitted with an FS32 surge protector to prevent damage to the internal components. The FS32 uses the same pluggable connector as the field connector; so the field connector is removed, the FS32 inserted and the original field connector is fitted to the FS32. See Figure 5.6 & 5.7.



**Figure 5.6: Typical grounding bars**



**Figure 5.7: With some FS32 modules**

Mounting brackets, known as "grounding bars", can be fitted into ready moulded positions on both sides of the Megablock. (Grounding bar types are chosen to suit the model - see page 2.) The FS32 has a central mounting screw to provide a mechanical and electrical connection to the grounding bar. The bar must then be wired to a low-impedance, protective local ground point in order to dissipate any induced surge currents.

**NOTE**

If a trunk-spur partition is to be fitted (Section 5.3.1), install it **before** mounting the FS32 modules adjacent to it.

To mount FS32 surge protection modules on a Megablock:

1. Remove and retain the pluggable terminals from one side of the Megablock.
2. Locate the grounding bar lugs in the moulded positions on the side of the Megablock and press it firmly into place - see Figure 5.6.
3. Repeat 1 and 2 for the other side of the Megablock, if required.
4. Use an M4 screw and ring terminal to connect *each* grounding bar to a suitable low-impedance ground point - see Figure 5.7.
5. Mount an FS32 into one of the empty sockets and tighten its two plug screws, then tighten the grounding screw into the mounting bar.
6. Insert one of the pluggable terminals into the FS32 and tighten its securing screws.
7. Repeat 5 and 6 for all the other FS32 modules.

A separate grounding bar (F300-BAR) is used for the trunk connector, which must be similarly connected to ground - see Figures 5.6 & 5.7 Follow a similar procedure to the one above for the trunk circuit.

**NOTE**

The FS32 surge protector is not certified for installation in a Zone 2 hazardous area and should be used only in applications where the Megablock is installed in a safe (non-hazardous) area. Consult MTL for information on surge protection in Zone 2 hazardous areas.

## 6 TESTING

### 6.1 Power LED

Each Megablock has a green power LED (labelled PWR). This LED lights when the segment DC voltage exceeds 10V to indicate power is present.

### 6.2 Spur LEDs

A red LED is located next to each Megablock spur port. The LED lights when the SpurGuard™ current-limiting function is activated by a short-circuit on the spur.

## 7 ROUTINE MAINTENANCE

Check the general condition of the installation periodically to make sure that no deterioration has occurred. At least every two years (and more frequently for particularly harsh environments) check that:

- cable, wire connections, terminations, and screens are in good condition
- the green Power LED is lit
- no red spur LEDs are lit
- no signs of damage or corrosion are present



**WARNING !**

The plastic parts can store static charge. Clean only with a damp cloth to prevent static buildup.

## 8 ATEX SAFETY INSTRUCTIONS

The following information is in accordance with the Essential Health and Safety Requirements (Annex II) of the EU Directive 94/9/EC [the ATEX Directive - safety of apparatus] and is provided for those locations where the ATEX Directive is applicable.

### 8.1 General

- a) This equipment must only be installed, operated and maintained by competent personnel. Such personnel shall have undergone training, which included instruction on the various types of protection and installation practices, the relevant rules and regulations, and on the general principles of area classification. Appropriate refresher training shall be given on a regular basis. [See clause 4.2 of EN 60079-17].
- b) This equipment has been designed to provide protection against all the relevant additional hazards referred to in Annex II of the directive, such as those in clause 1.2.7.
- c) This equipment has been designed to meet the requirements of EN 60079-15.

### 8.2 Installation

- a) The installation must comply with the appropriate European, national and local regulations, which may include reference to the code of practice EN 60079-14. In addition, particular industries or end users may have specific requirements relating to the safety of their installations and these requirements should also be met. For the majority of installations the Directive 1999/92/EC [the ATEX Directive - safety of installations] is also applicable.
- b) This apparatus may be installed in a safe area and also in a Zone 2 location providing that the relevant installation conditions are met. When mounted in a Zone 2 location the apparatus must be provided with an enclosure, which offers an additional degree of protection appropriate to the area classification.
- c) Unless already protected by design, this equipment must be protected by a suitable enclosure against:
  - i) mechanical and thermal stresses in excess of those noted in the certification documentation and the product specification
  - ii) aggressive substances, excessive dust, moisture and other contaminants.

Read also the Special Conditions for Safe Use (below) for any additional or more specific information.

#### Special Conditions of Safe Use for Zone 2 applications

When mounted in Zone 22 (dust) hazardous areas, the enclosure in which the apparatus is mounted should meet the requirements of EN 61242. The apparatus is to be installed in an enclosure which maintains a minimum ingress protection rating of IP54 and meets the enclosure requirements of EN 60079-0, EN 60079-11, and EN 60079-15 as appropriate for the installation. Provisions shall be made externally to the apparatus to prevent the rated input being exceeded by transient disturbances of more than 140% of the rated voltage value of 32V. *See footnote.*

### 8.3 Inspection and maintenance

- a) Inspection and maintenance should be carried out in accordance with European, national and local regulations which may refer to the standard EN 60079-17. In addition specific industries or end users may have specific requirements which should also be met.
- b) Access to the internal circuitry must not be made during operation.

### 8.4 Repair

This product cannot be repaired by the user and must be replaced with an equivalent certified product.

*(continued on following page)*

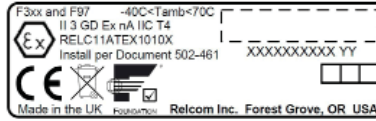
*NOTE: All MTL fieldbus power supplies are designed to protect the fieldbus trunk from transient disturbances on the DC power feed and will meet the requirements of maintaining transient disturbances below 140% of the rated voltage of 32V.*

## 8.5 Marking

Each device is marked in compliance with the Directive.

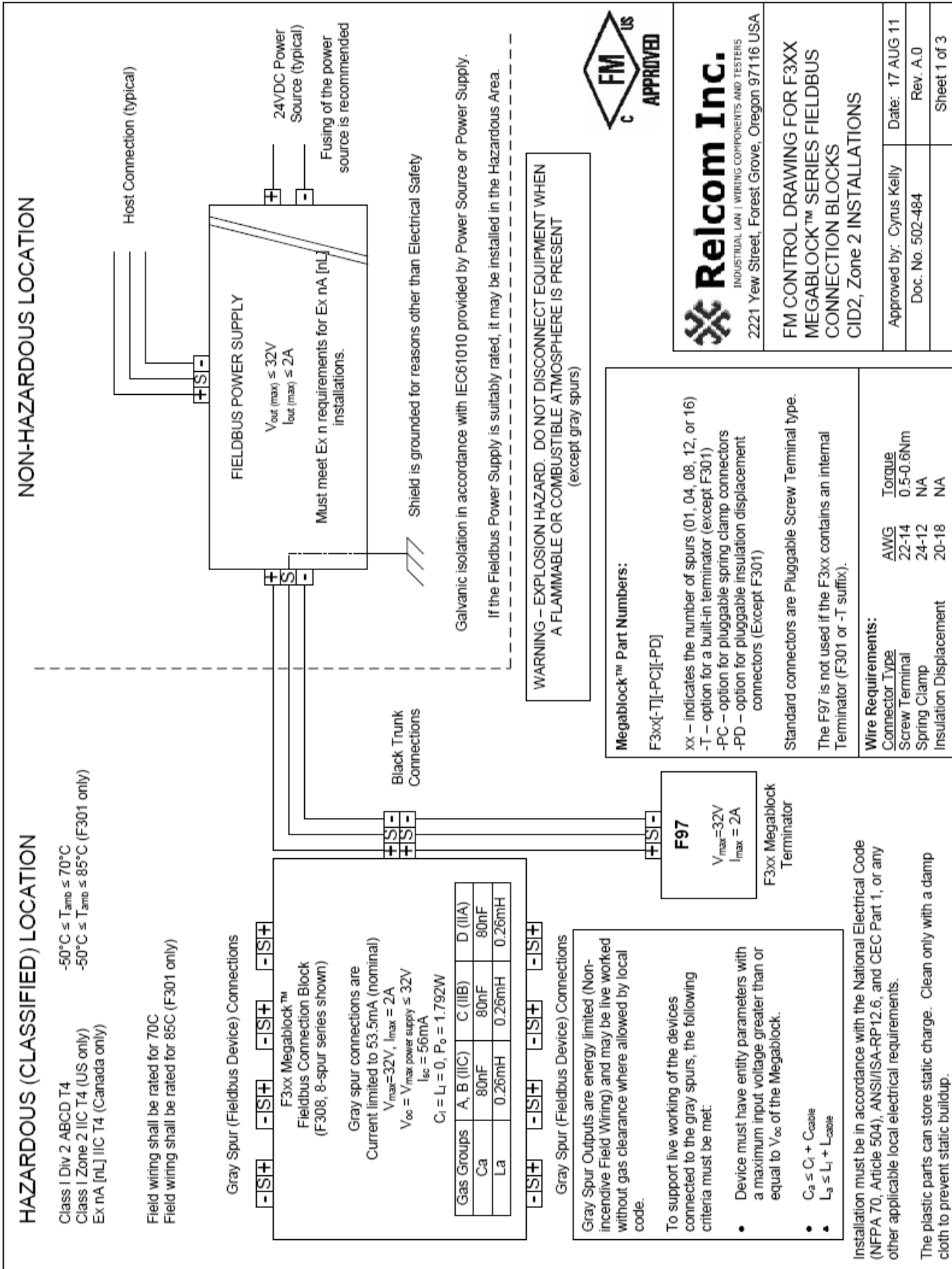
This information applies to products manufactured during or after the year 2011.

### Typical certification marking

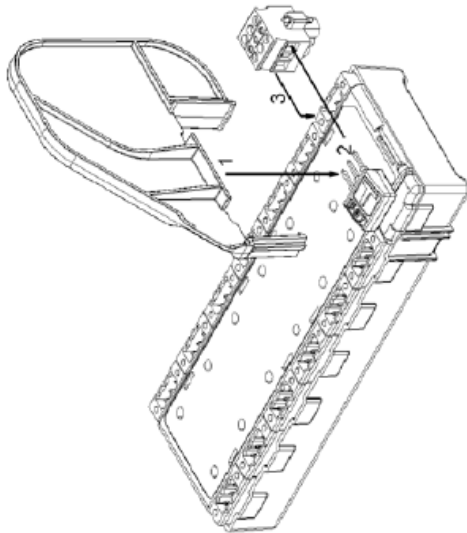


#### NOTE

For details of FM and IECEx approvals see Sections 9 & 10.

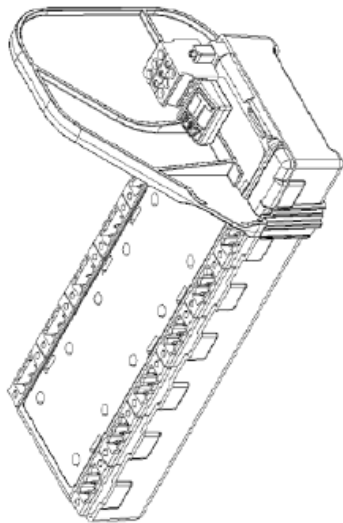


### Installing the Partition, Terminator, and Connector



These instructions do not apply to the F301 - see sheet 3.

### Partition, Terminator, and Connector Installed



#### Partition Installation

The Partition must be installed for Ex nA [ic] applications. Orient the partition as shown above and press down as indicated by the arrow. The 'fingers' will slide in the two channels on each side of the F3xx until they latch in place at the bottom of the case. The channels are sized differently so the Partition cannot be installed backwards.

#### Terminator Installation

If needed the F97 Terminator is installed in the Black Dual Pluggable connector as shown above. Insert it into the connector and tighten the screws.

#### Connector Installation

The connectors are installed as shown in the diagram above. Fully insert them into the mating connector on the F3xx. Secure the two retaining screws to prevent the connector from unexpectedly dislodging.

#### DIN Rail Mounting

F3xx Megablocks are designed to be mounted on 35 mm DIN rail using the clip mechanism on the back of each unit. Mounting can be vertical or horizontal. Use of DIN rail end stops is recommended.



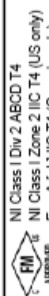
#### Repair and Maintenance

No regular maintenance is required for these products. There are also no user serviceable parts in this product. Contact the distributor or factory for any product issues.

#### Special Conditions of Safe Use

- The apparatus shall be installed in an enclosure which maintains an ingress protection rating of IP54 and meets the enclosure requirements of E60079-0 and E60079-15.
- The apparatus shall be installed in an enclosure meeting the requirements of ANS/ISA 61010-1 (82.02.01) and CSA Standard C22.2 No 61010-1.
- The apparatus shall be installed in compliance with the enclosure, mounting, spacing and segregation requirements of the ultimate application.
- Provisions shall be made externally to the F3XX to prevent the rated input being exceeded by transient disturbances of more than 140% of the rated voltage value of 32V.

#### Certification Markings


  
 NI Class I Div 2 ABCD T4
   
 NI Class I Zone 2 IIC T4 (US only)
   
 Ex nA [ic] IIC T4 (Canada only)
   
 Install per document 502-484
   
 Relcom Inc. Forest Grove, OR USA



INDUSTRIAL LAN | WIRING COMPONENTS AND TESTERS  
2221 Yew Street, Forest Grove, Oregon 97116 USA

F3XX MEGABLOCK™ SERIES

INSTALLATION INSTRUCTIONS

Approved by: Cyrus Kelly Date: 17 AUG 11

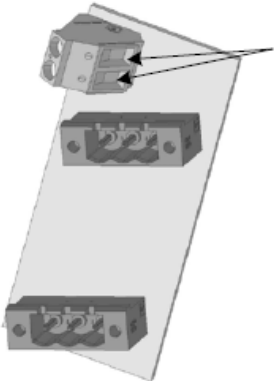
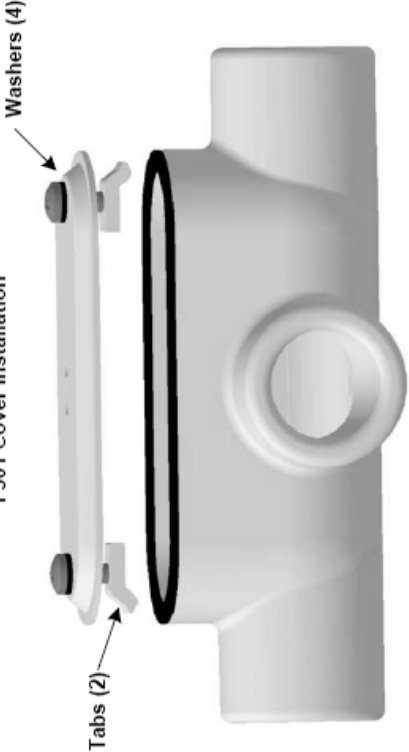
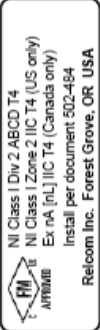
Doc. No. 502-484

Rev. A.0

Sheet 2 of 3



**Note:** The F301 Device Coupler is not covered by this manual, and is not currently available from MTL, but is included here as part of the overall certification documentation.

<p><b>Activating the F301 Terminator</b></p>  <p style="text-align: center;"><b>Jumper Wire</b></p> <p>The Terminator on the F301 is activated by inserting a user supplied jumper wire in the 2 pin connector where shown in the above drawing and tightening the associated screw terminals.</p>	<p><b>Wiring – refer to Sheet 1 for the wiring diagram.</b></p> <p>Due to the compact nature of this enclosure, about 6" of cable jacket should be removed from the ends of the cables. Heat shrink tubing has been supplied with the F301 to insulate the shield wire. It is important that the shield does not come into electrical contact with the circuit board or the walls of the enclosure.</p> <p>Connect the Trunk cabling to the Black Dual connector. The Dual connector allows the Trunk to continue to another enclosure using the second set of terminals.</p> <p>Connect the Spur cabling to the Gray connector.</p> <p>Plug each connector into the mating circuit board connector (matching colors) and secure the two retaining screws.</p> <p>Carefully fold wires and orient the cover as shown in the "F301 Cover Installation" drawing.</p>	<p><b>F301 Cover Installation</b></p>  <p>The F301 cover is installed as shown above (circuit board and connectors not shown).</p> <ul style="list-style-type: none"> <li>● Make sure Washers are in place and undamaged.</li> <li>● Lower the cover in place while pressing the tabs inward to clear the opening.</li> <li>● Seat the cover and center it.</li> <li>● Evenly tighten the two screws to 8 in-lbs (1N-m).</li> </ul>
<p><b>Repair and Maintenance</b></p> <p>No regular maintenance is required for these products. There are also no user serviceable parts in this product. Contact the distributor or factory for any product issues.</p>		<p><b>Certification Markings</b></p> 
<p><b>Special Conditions of Safe Use</b></p> <ul style="list-style-type: none"> <li>● The apparatus shall be installed in an enclosure which maintains an ingress protection rating of IP54 and meets the enclosure requirements of E60079-0 and E60079-15.</li> <li>● The apparatus shall be installed in an enclosure meeting the requirements of ANSI/ISA 61010-1 (82.02.01) and CSA Standard C22.2 No 61010-1.</li> <li>● The apparatus shall be installed in compliance with the enclosure, mounting, spacing and segregation requirements of the ultimate application.</li> <li>● Provisions shall be made externally to the F3XX to prevent the rated input being exceeded by transient disturbances of more than 140% of the rated voltage value of 32V.</li> </ul>		<p><b>Relcom Inc.</b> INDUSTRIAL LAN   WIRING COMPONENTS AND TESTERS 2221 Yew Street, Forest Grove, Oregon 97116 USA</p> <p>F301 MEGABLOCK™</p> <p>INSTALLATION INSTRUCTIONS</p> <p>Approved by: Cynus Kelly      Date: 17 AUG 11 Doc. No. 502-484                      Rev. A.0 Sheet 3 of 3</p>

## 10 IECEx SAFETY INSTRUCTIONS

### 10.1 Conditions of safe use

#### **Ex nA [nL] IIC T4**

1. The apparatus is to be installed in an enclosure which maintains a minimum ingress protection rating of IP54 and meets the enclosure requirements of IEC 60079-0 and IEC 60079-15.
2. Provisions shall be made externally to the apparatus to prevent the rated input being exceeded by transient disturbances of more than 140% of the rated voltage value of 32V. *See footnote.*

#### **Ex nA [ic] IIC T4**

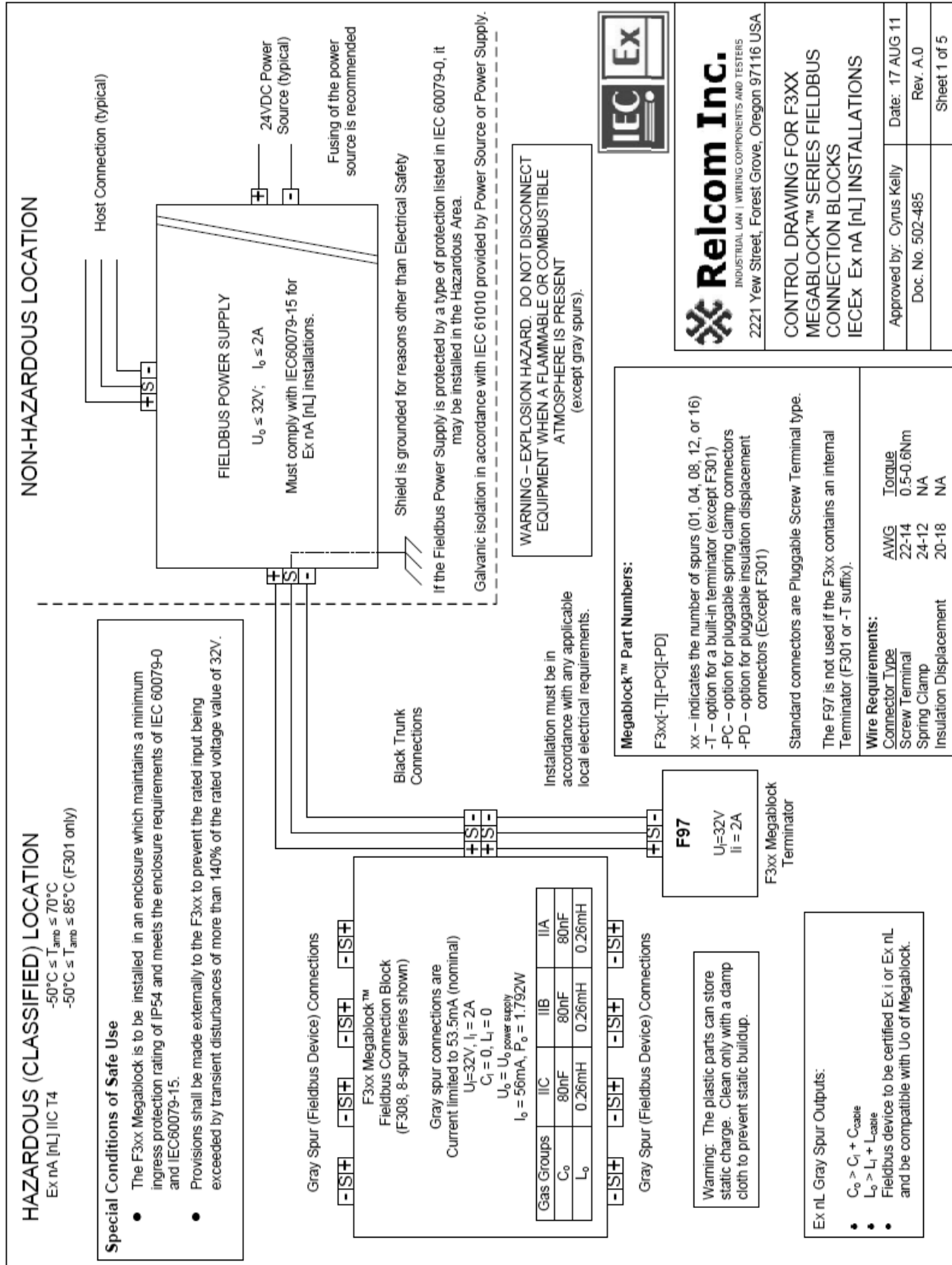
1. The apparatus is to be installed in an enclosure which maintains a minimum ingress protection rating of IP54 and meets the enclosure requirements of IEC 60079-0, IEC 60079-11 and IEC 60079-15.
2. Provisions shall be made externally to the apparatus to prevent the rated input being exceeded by transient disturbances of more than 140% of the rated voltage value of 32V. *See footnote.*

#### **Ex ic IIC T4 Gc FISCO**

1. The apparatus is to be installed in an enclosure which maintains a minimum ingress protection rating of IP54 and meets the enclosure requirements of IEC 60079-0 and IEC 60079-11.

*Note: All MTL fieldbus power supplies are designed to protect the fieldbus trunk from transient disturbances on the DC power feed and will meet the requirements of maintaining transient disturbances below 140% of the rated voltage of 32V.*

## 10.2 IECEx Control drawings



## HAZARDOUS (CLASSIFIED) LOCATION

Ex nA [ic] IIC T4  
-50°C ≤ T<sub>amb</sub> ≤ 70°C

### Special Conditions of Safe Use

- The F3xx Megablock is to be installed in an enclosure which maintains a minimum ingress protection rating of IP54 and meets the enclosure requirements of IEC60079-0, IEC60079-11 and IEC60079-15.
- Provisions shall be made externally to the F3xx to prevent the rated input being exceeded by transient disturbances of more than 140% of the rated voltage value of 32V.

Gray Spur (Fieldbus Device) Connections

-|S|+ -|S|+ -|S|+ -|S|+ -|S|+

F3xx Megablock™  
Fieldbus Connection Block  
(F308, 8-spur series shown)

Gray spur connections are

Current limited to 53.5mA (nominal)

U<sub>0</sub> = 32V, I<sub>0</sub> = 2A, C = 0, L = 0

U<sub>0</sub> = 36V. U<sub>0</sub> may be reduced to U<sub>0</sub> of the apparatus supplying the input voltage if the apparatus provides voltage limiting meeting IEC 60079-11 requirements.

I<sub>0</sub> = 56mA, P<sub>0</sub> = 1.792W

Gas Groups	IIC	IIB	IIB	I/A
C <sub>0</sub>	80nF	80nF	80nF	80nF
L <sub>0</sub>	0.26mH	0.26mH	0.26mH	0.26mH

-|S|+ -|S|+ -|S|+ -|S|+ -|S|+

Gray Spur (Fieldbus Device) Connections

SEPARATOR MUST BE INSTALLED BETWEEN BLACK AND GRAY CONNECTORS TO SUPPORT [ic] RATING

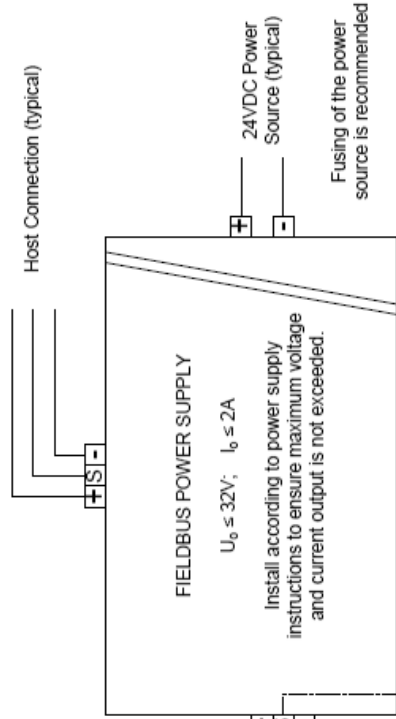
### Ex ic (FISCO) Gray Spur Outputs:

- Cable ≤ 60m
- Cable Resistance R<sub>c</sub>: 15-150ohms/km
- Cable Capacitance C<sub>c</sub>: 45-200nF/km
- Cable Inductance L<sub>c</sub>: 0.4-1.0mH/km
- Fieldbus device FISCO certified in accordance with IEC 60079-27.
- U<sub>0</sub> of Fieldbus Power Supply ≤ 17.5V
- Installation to comply with IEC 60079-27.

### Ex ic (Entity) Gray Spur Outputs:

- C<sub>0</sub> > C<sub>c</sub> + C<sub>device</sub>
- L<sub>0</sub> > L<sub>c</sub> + L<sub>device</sub>
- Fieldbus device 'Ex i' rated to meet U<sub>0</sub> of Megablock and have entity parameters.

## NON-HAZARDOUS LOCATION



Fusing of the power source is recommended

Shield is grounded for reasons other than Electrical Safety

If the Fieldbus Power Supply is protected by a type of protection listed in IEC 60079-0, it may be installed in the Hazardous Area.

Galvanic isolation in accordance with IEC 61010 provided by Power Source or Power Supply.

WARNING – EXPLOSION HAZARD. DO NOT DISCONNECT EQUIPMENT WHEN A FLAMMABLE OR COMBUSTIBLE ATMOSPHERE IS PRESENT (except gray spurs).

Installation must be in accordance with any applicable local electrical requirements.

### Megablock™ Part Numbers:

F3xx(-T)[-FC](-PD)

xx – indicates the number of spurs (04, 08, 12, or 16)

-T – option for a built-in terminator

-FC – option for pluggable spring clamp connectors

-PD – option for pluggable insulation displacement connectors

Standard connectors are Pluggable Screw Terminal type.

The F97 is not used if the F3xx contains an internal Terminator (-T suffix).

### Wire Requirements:

Connector Type	AWG	Torque
Screw Terminal	22-14	0.5-0.6Nm
Spring Clamp	24-12	NA
Insulation Displacement	20-18	NA



**Relcom Inc.**  
INDUSTRIAL LAN | WORKING COMPONENTS AND TESTERS  
2221 Yew Street, Forest Grove, Oregon 97116 USA

CONTROL DRAWING FOR F3XX  
MEGABLOCK™ SERIES FIELDBUS  
CONNECTION BLOCKS  
IECEX Ex nA [ic] INSTALLATIONS

Approved by: Cyrus Kelly Date: 17 AUG 11

Doc. No. 502-485 Rev. A.0

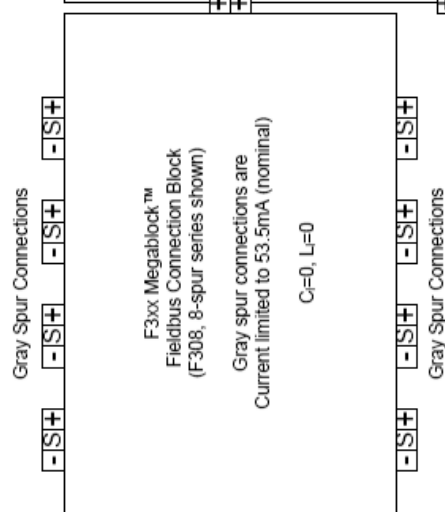
Sheet 2 of 5

## HAZARDOUS (CLASSIFIED) LOCATION

Ex ic IIC T4 Gc FISCO  
 $-50^{\circ}\text{C} \leq T_{\text{amb}} \leq 70^{\circ}\text{C}$   
 $-50^{\circ}\text{C} \leq T_{\text{amb}} \leq 85^{\circ}\text{C}$  (F301 only)

### Special Conditions of Safe Use

- The F3xx Megablock is to be installed in an enclosure which maintains a minimum ingress protection rating of IP54 and meets the enclosure requirements of IEC60079-0 and IEC60079-11



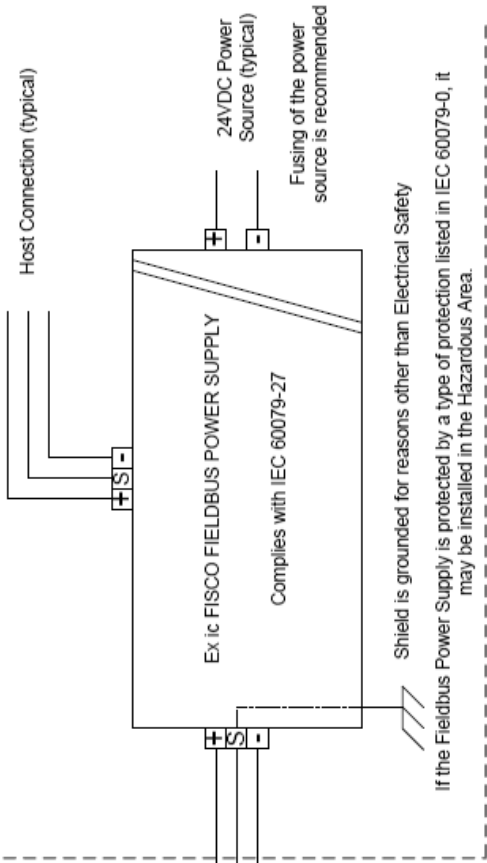
Warning: The plastic parts can store static charge. Clean only with a damp cloth to prevent static buildup.

### FISCO ic (FNICO) Installation Requirements

Device Capacitance:	0 – 5nF
Device Inductance:	0 – 10µH
Cable resistance, $R_c$ :	15 – 150 ohms/km
Cable inductance, $L_c$ :	0.4 – 1.0 mH/km
Cable capacitance, $C_c$ :	45-200nF/km
Max. Segment length:	1 km for IIC; 5 km for IIB (Note 1)
Maximum Spur length:	60m
Installation to comply with IEC 60079-27	

Note 1: Limited to 1.9 km by IEC61158-2.

## NON-HAZARDOUS LOCATION



Installation must be in accordance with any applicable local electrical requirements.



**Relcom Inc.**  
INDUSTRIAL LAN | WIRING COMPONENTS AND TESTERS  
 2221 Yew Street, Forest Grove, Oregon 97116 USA

CONTROL DRAWING FOR F3XX  
 MEGABLOCK™ SERIES FIELDBUS  
 CONNECTION BLOCKS  
 IECEX Ex ic INSTALLATIONS

Approved by: Cynus Kelly	Date: 17 AUG 11
Doc. No. 502-485	Rev. A.0
Sheet 3 of 5	

### Megablock™ Part Numbers:

F3xx(-T)[-PC][-PD]

- xx – indicates the number of spurs (01, 04, 08, 12, or 16)
- T – option for a built-in terminator (except F301)
- PC – option for pluggable spring clamp connectors
- PD – option for pluggable insulation displacement connectors (Except F301)

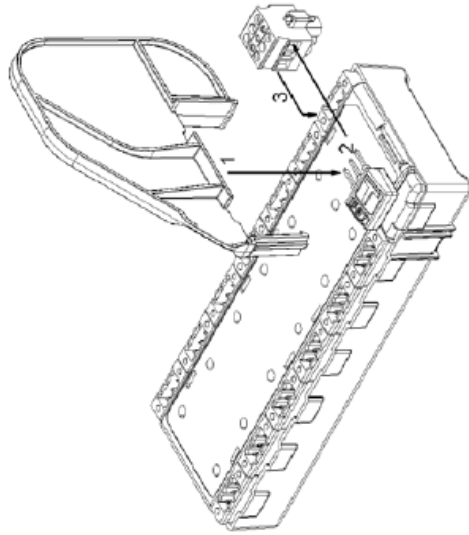
Standard connectors are Pluggable Screw Terminal type.

The F97 is not used if the F3xx contains an internal Terminator (F301 or -T suffix).

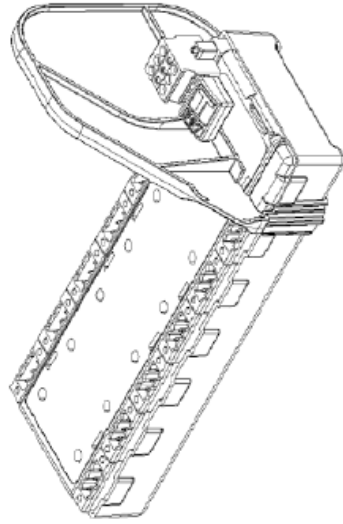
### Wire Requirements:

Connector Type	AWG	Torque
Screw Terminal	22-14	0.5-0.6Nm
Spring Clamp	24-12	NA
Insulation Displacement	20-18	NA

**Installing the Partition, Terminator, and Connector**



**Partition, Terminator, and Connector Installed**



**Partition Installation**

The Partition must be installed for Ex nA [ic] applications. Orient the partition as shown above and press down as indicated by the arrow. The 'fingers' will slide in the two channels on each side of the F3xx until they latch in place at the bottom of the case. The channels are sized differently so the Partition cannot be installed backwards.

**Terminator Installation**

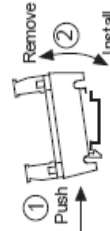
If needed the F97 Terminator is installed in the Black Dual Pluggable connector as shown above. Insert it into the connector and tighten the screws.

**Connector Installation**

The connectors are installed as shown in the diagram above. Fully insert them into the mating connector on the F3xx. Secure the two retaining screws to prevent the connector from unexpectedly dislodging.

**DIN Rail Mounting**

F3xx Megablocks are designed to be mounted on 35 mm DIN rail using the clip mechanism on the back of each unit. Mounting can be vertical or horizontal. Use of DIN rail end stops is recommended.



**Certification Markings**

F3xx and F97 IECEx FMS 11.0017 X  
 Install per Doc. No. 502-485  
 Ex nA [ic] IIC T4; Ex nA [c] IIC T4 Gc  
 Ex ic IIC T4 Gc FISCO  
 -50C<Tamb>70C

**Repair and Maintenance**

No maintenance is required for these products. There are also no user serviceable parts in these products. Contact the distributor or factory for any product issues.



These instructions do not apply to the F301 - see sheet 5.

**Relcom Inc.**  
 INDUSTRIAL LAN | WIRING COMPONENTS AND TESTERS  
 2221 Yew Street, Forest Grove, Oregon 97116 USA

F3XX MEGABLOCK™ SERIES

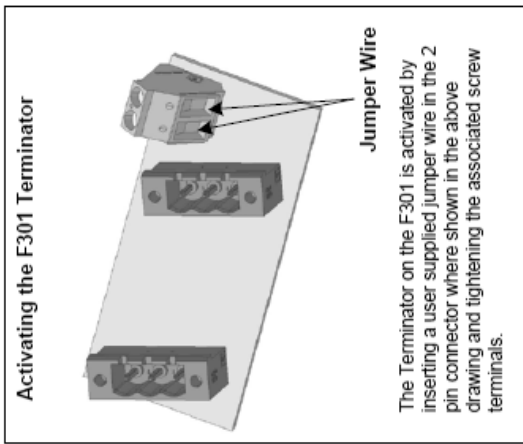
INSTALLATION INSTRUCTIONS

Approved by: Cyrus Kelly Date: 17 AUG 11

Doc. No. 502-485 Rev. A.0

Sheet 4 of 5

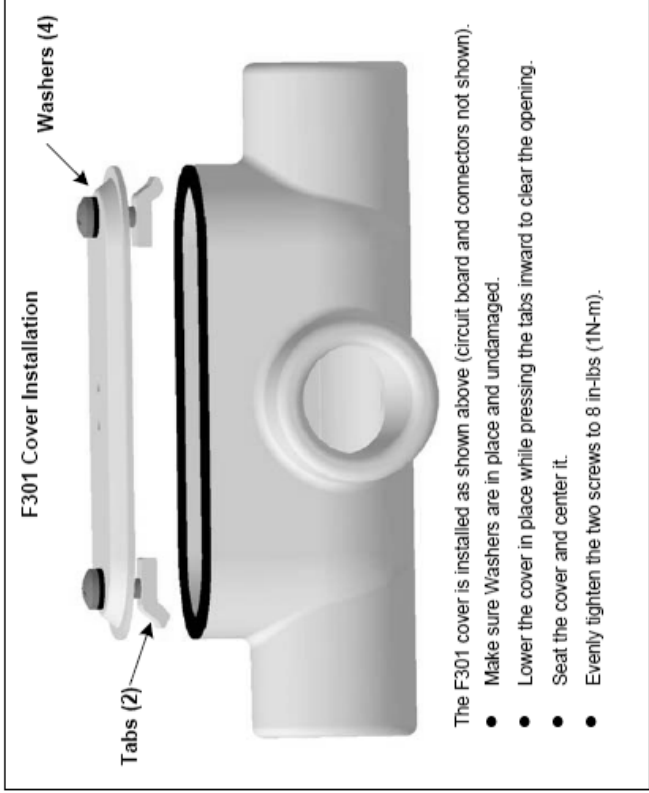
**Note:** The F301 Device Coupler is not covered by this manual, and is not currently available from MTL, but is included here as part of the overall certification documentation.



**Activating the F301 Terminator**

**Jumper Wire**

The Terminator on the F301 is activated by inserting a user supplied jumper wire in the 2 pin connector where shown in the above drawing and tightening the associated screw terminals.



**F301 Cover Installation**

Washers (4)

Tabs (2)

The F301 cover is installed as shown above (circuit board and connectors not shown).

- Make sure Washers are in place and undamaged.
- Lower the cover in place while pressing the tabs inward to clear the opening.
- Seat the cover and center it.
- Evenly tighten the two screws to 8 in-lbs (1N-m).

**Wiring – refer to Sheets 1-3 for wiring diagrams.**

Due to the compact nature of this enclosure, about 6" of cable jacket should be removed from the ends of the cables. Heat shrink tubing has been supplied with the F301 to insulate the shield wire. It is important that the shield does not come into electrical contact with the circuit board or the walls of the enclosure.

Connect the Trunk cabling to the Black Dual connector. The Dual connector allows the Trunk to continue to another enclosure using the second set of terminals.

Connect the Spur cabling to the Gray connector.

Plug each connector into the mating circuit board connector (matching colors) and secure the two retaining screws.

Carefully fold wires and orient the cover as shown in the "F301 Cover Installation" drawing.

**Repair and Maintenance**

No regular maintenance is required for the F301. There are also no user serviceable parts in this product. Contact the distributor or factory for any product issues.

**Certification Markings**

F301 IECEx FMG 11.0017 X  
 Install per Doc. No. 502-485  
 Ex nA [nL] IIC T4  
 Ex ic IIC T4 Gc FISCO  
 -50C<Tamb-85C



F301 MEGABLOCK™

**INSTALLATION INSTRUCTIONS**

Approved by: Cyrus Kelly Date: 17 AUG 11

Doc. No. 502-485 Rev. A.0

Sheet 5 of 5

**This page left blank intentionally.**

**This page left blank intentionally.**

**MTL Instruments Pty Limited**

9 /12 Billabong Street  
Stafford  
Queensland 4053  
Australia  
Tel: + 61 1300 308 374 Fax: + 61 1300 308 463  
E-mail: enquiries@mtlaus.com.au

**Cooper Electric (Shanghai) Co. Ltd.**

Room 2001, China Life Tower  
16 Chao Yang Men Wai Street  
Chao Yang District, Beijing  
China 100020  
Tel: + 86 10 5980 0288 Fax: + 86 10 8562 5725  
E-mail: mtl-cn@cooperindustries.com

**MTL Instruments sarl**

Les Carrés du Parc  
10 rue des Rosiéristes  
69410 Champagne au Mont d'Or  
France  
Tel: +33 (0)4 78 64 98 32 Fax: +33 (0)4 78 35 79 41  
E-mail: info@mtl-inst.fr

**MTL Instruments GmbH**

An der Gumpgesbrücke 17  
D-41564 Kaarst  
Germany  
Tel: +49 (0)2131 718930 Fax: +49 (0)2131 7189333  
E-mail: info@mtl.de

**MTL India**

No. 36, Nehru Street  
Off Old Mahabalipuram Road  
Sholinganallur  
Chennai - 600 119  
India  
Tel: + 91 (0)44 24501660/24501857 Fax: + 91 (0)44 24501463  
E-mail: sales@mtlindia.com

**MTL Italia srl**

Via Cantù 11  
I - 20092 Cinisello Balsamo MI  
Italy  
Tel: +39 (0)2 61802011 Fax: +39 (0)2 61294560  
E-mail: info@mtl-inst.it

**Cooper Crouse-Hinds Japan KK**

MT Building 3F  
2-7-5 Shiba Daimon  
Minato-ku Tokyo  
Japan 105-0012  
Tel: +81 (0)3 6430 3128 Fax: +81 (0)3 6430 3129  
E-mail: info@cooperindustries.jp

**Cooper Crouse-Hinds Korea**

12F, Vision Tower  
707-2 Yeoksam-dong, Gangnam-gu  
Seoul 135-080  
South Korea  
Tel: +82 2 3484 6795 Fax: +82 2 3484 6778  
E-mail: MTLKorea-enquiry@cooperindustries.com

**MTL Instruments BV**

MTL Instruments BV  
Terheijdenseweg 465  
4825BK Breda  
The Netherlands  
Tel: +31(0)76 7505360 Fax: +31(0)76 7505370  
E-mail: mtl.benelux@cooperindustries.com

**Cooper Crouse-Hinds Pte Ltd.**

No.2 Serangoon North Avenue 5  
#06-01 Fu Yu Building  
Singapore 554911  
Tel: +65 6 645 9888 Fax: +65 6 487 7997  
E-mail: sales.mtlsing@cooperindustries.com

**MTL Instruments**

Villa No. 4, Sector 2-17, Street 6  
PO Box 53234,  
Abu Dhabi, UAE  
Tel: +971 2 446 6840 Fax: +971 2 446 6841  
E-mail: mtlgulf@mtl-inst.com

**Measurement Technology Limited**

Great Marlings, Butterfield, Luton, Beds  
England LU2 8DL  
Tel: +44 (0)1582 723633 Fax: +44 (0)1582 422283  
E-mail: enquiry@mtl-inst.com

**Cooper Crouse-Hinds MTL Inc**

3413 N. Sam Houston Parkway W.  
Suite 210  
Houston TX 77086  
USA  
Tel: +1 281 571 8065 Fax: +1 281 571 8069  
E-mail: csinfo@mtl-inst.com

